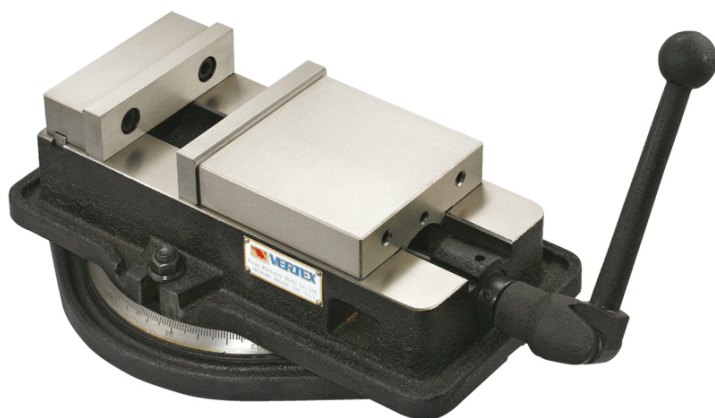


Ang-Fixed Milling Vise



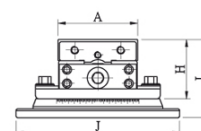
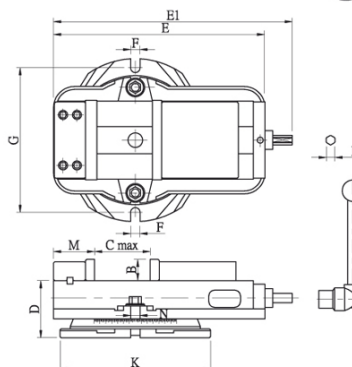
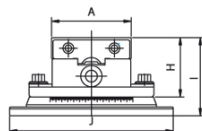
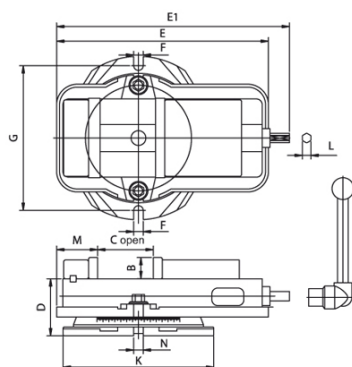
VD-675, VA-8L is NEW
 VD-675 6" opened 7 1/2"
 VA-8L 8" opened 10 1/4"
 VD-690 6" opened 9"



VA-8L



VD-690



- The enclosed lead screw and sliding surface are harden and ground.
- Highest clamping power. It's very accurate and durable.
- This Vise is so designed that the horizontal Force generated by tightening the handle pushes the semisphere within the movable jaw and thus thrusts the movable jaw downward.
- There fore, the workpiece does not lift, even if it is held at the top of the jaw plates.
- Four setting positions of the jaw plates are available, widening the jaw plates opening.
- ACCURACE WITHIN 0.02mm

Order No. & Dimensions

ORDER NO.	A	B	C OPEN	D	E	E1	F	G	H	I	J	K	L	M	N	Clamp Force (KG)	G.W. (KG)	C.F.T. (CM)	CODE NO.
VA-4	106	36	103	90	324	351	13	211	96	126	242	228	14.5	75	×	1500	20	35x24x15	1002-030
VA-5	135	36	110	97	359	394	16	246	101	133	277	255	14.5	85	×	2000	30	41x31x17	1002-031
VA-6	155	46	142	110	422	452	20	288	118	158	326	302	19	95	×	2500	42	49x35x20	1002-032
VA-8	210	60	197	129	553	583	17	355	145	190	395	366	19	105	16	3000	80	63x41x24	1002-033
VD-675	160	49	190	110	445	478	19	296	121	160	333	305	19	80	16	2500	42	52x35x21	1002-034
VA-8L	208	64	260	138	510	561	17	310	157	202	375	282	19	71	×	3000	73	71x37x28	1002-035
VD-690	155	46	230	110	450	480	24	288	118	158	326	302	19	67	20	2300		49x35x20	1002-035A