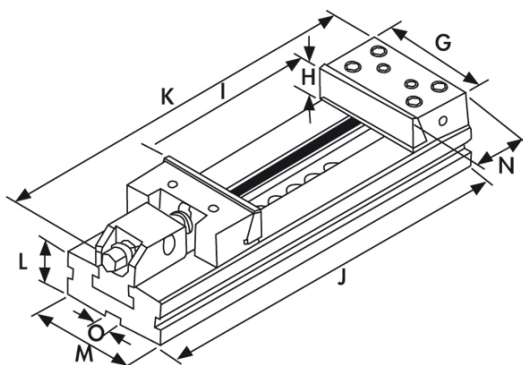
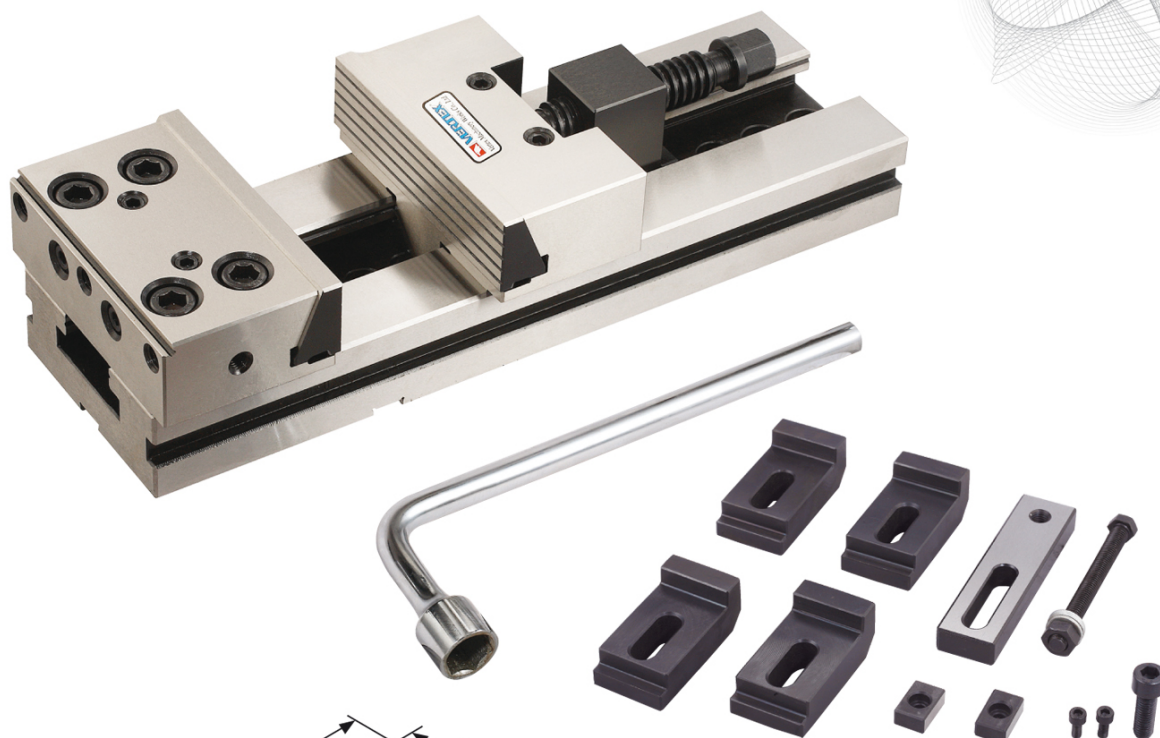


Modular Precision Machine Vises



Features

- High Accuracy 0.01/100 m/m
- Unlimited Clamping Range
- High Quality Alloy Steel with HRC 59
- High Clamping Pressure
- EACH ONE IS SAME AS HEIGHT.
- CAN BE USED IN MULTIPLE STYLE.
- No Length of Height Limitation
- No Jaw Lift
- Low Profile
- All Vises are Matched parallelism $\pm 0.01/100$ m/m
- Optional=Swivel base

ORDER NO.	VMP -4	VMP -5	VMP -6	VMP -6B	VMP -6C	VMP -7A	VMP -7B	VMP -7C	VMP -8A	VMP -8B	VMP -8C	VMP -8D	VMP -12C	VMP -12E
A	100	125	150	150	150	175	175	175	200	200	200	200	300	300
B	30	40	50	50	50	60	60	60	65	65	65	65	80	80
C OPEN	100	150	200	300	400	200	300	400	200	300	400	500	400	600
D	270	345	420	520	620	455	555	655	573	595	695	795	735	935
E	325	146	530	600	700	620	620	620	718	718	718	880	830	1030
F	35	40	50	50	50	58	58	58	70	70	70	70	78	78
G	75	96	125	125	125	145	145	145	170	170	170	170	195	195
H	78	78	90	89.4	89.4	97	97	97	114	114	114	113.4	120.4	120.4
I	16	16	16	16	16	16	16	16	16	16	16	16	16	16
Max. Clamp Force (kgs)		1300	2000						2000	2000				
KGS	9.2	16	28.5	34.8	38.1	43.7	48.3	53.5	66.3	73.2	81.3	87.2	125	143
CODE NO.	1002-190	1002-191	1002-192	1002-201	1002-202	1002-193	1002-194	1002-195	1002-196	1002-197	1002-198	1002-203	1002-204	1002-205