

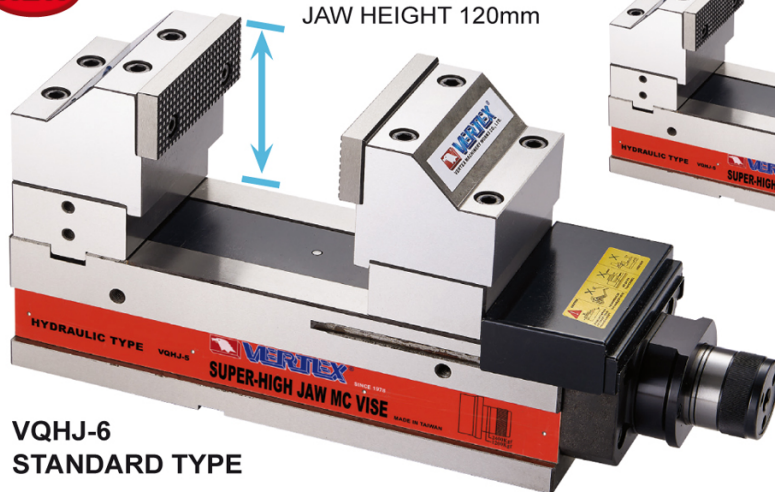
## Super-High Jaw MC Vise

SAME HEIGHT GUARANTEE



NEW

JAW HEIGHT 120mm

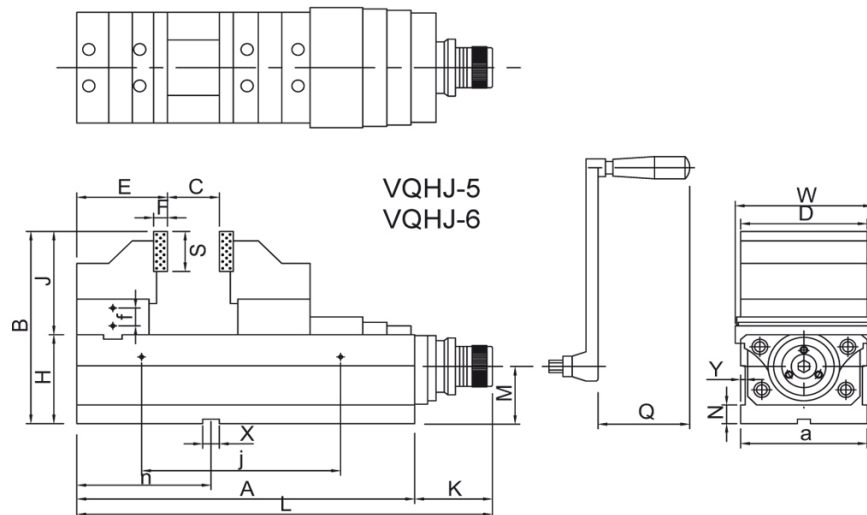


VQHJ-5  
STANDARD TYPE

VQHJ-6  
STANDARD TYPE

### Features

- High jaw allows bigger clamping capacity.
- Strong clamping jaw plates.
- Compact design. Great clamping capacity & rigid.
- Large jaw stroke range.
- Exclusive Power Vise provide same height same position for horizontal and vertical MC, NC, machine.
- Body is made of FCD60 high quality ductile cast iron, resists deflection or bending.
- Sliding bed ways flame hardened and ground.
- Concealed spindle for protection against chips and dirt.
- Quick of clamping & locking and easy of operation.
- Clamping power will reduce 20% while clamping at higher position.
- Hydro line-one scale indicate 1/3 of the max. clamp force.



### MAX. CLAMPING FORCE

ORDER NO.	FORCE (KN)
VQHJ-5	24
VQHJ-6	36
VQHJ-V130	24
VQHJ-V160	36
VQHJ-S130	24
VQHJ-S160	36



※ VQHJ-S130, VQHJ-S160 ARE PLAIN JAW PLATE TYPE

ORDER NO.	A	B	C open	a	D	E	F	H	J	K	L	M	N	Q	W	X	S	Y	f	j	n	P	WEIGHT (kgs)	CODE NO.
VQHJ-5	365	223	160	124	124	99	15	100	123	113.5	478.5	65	21	73	135	18	45	7	20	215	145	86	51.8	4005-201
VQHJ-6	455	249	225	160	160	108	18	120	129	125.5	580.5	78	21	93	170	18	54	7	20	285	145	86	85.8	4005-202
VQHJ-V130	365	220	180	124	124	90	80	100	120	113.5	478.5	65	21	73	135	18	ø12~ø90	7	20	215	145	86	51.8	4005-203
VQHJ-V160	455	245	250	160	160	98	85	120	125	125.5	580.5	78	21	93	170	18	ø16~ø120	7	20	285	145	86	85.8	4005-204
VQHJ-S130	365	220	180	124	124	90		100	120	113.5	478.5	65	21	73	135	18	PLAIN JAW	7	20	215	145	86	51.8	4005-205
VQHJ-S160	455	245	250	160	160	98		120	125	125.5	580.5	78	21	93	170	18	PLAIN JAW	7	20	285	145	86	85.8	4005-206