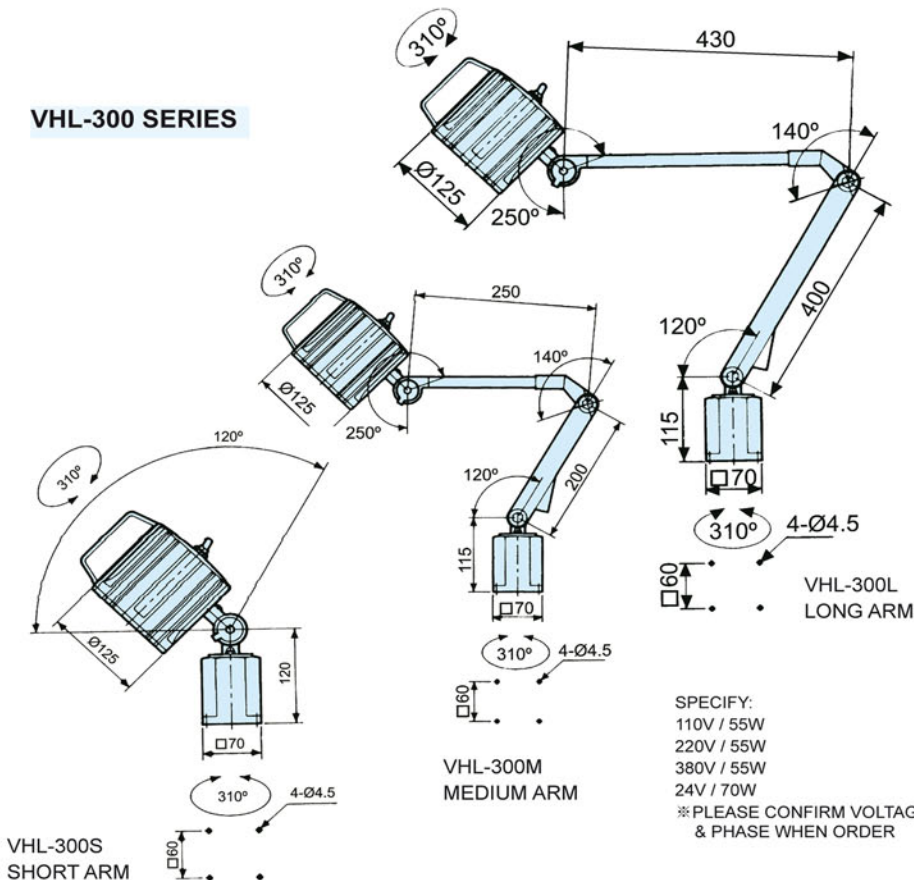


Dustproof Halogen Lamp Beam

WATER PROOF UNIVERSAL TYPE



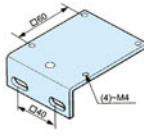
VHL-300 SERIES



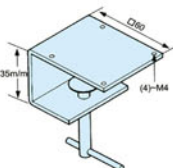
•OPTIONAL•



J-L02



J-L02



J-C02

- MOUNTING ANGLE PLATE J-L02
- MOUNTING CLAMP J-C02

Totally enclosed lighting head provides well prevention for explosion, dust, coolant, and lubricants.
Uses efficient quartz halogen bulb, great light output, soft illuminating without irritating to the eyes.

Dustproof Halogen Lamp Beam

WATER PROOF UNIVERSAL TYPE



VHL-300 SERIES



Features

- Coil transformer built in base for directly connect to voltage of Ac power. (110V, 220V, 380V, 24V...)
 - Specify voltage as desired when ordering.
 - It accepts bulb 55W
 - Furnished with 1.8 meter cord with plug.
 - Fitted with coil transformer resisting unstable voltage.
 - Long service life.
 - with water proof articulated arm.
- ※ Please confirm voltage & phase when order.

Unit:mm

ORDER NO.	ARM LENGTH L x l	WEIGHT (kg)	CODE NO.
VHL-300L	430x400	2.4	1025-001
VHL-300M	250x200	2.1	1025-002
VHL-300S	1 JOINT	2.3	1025-003
J-L02		0.3	1025-004
J-C02		0.5	1025-005