

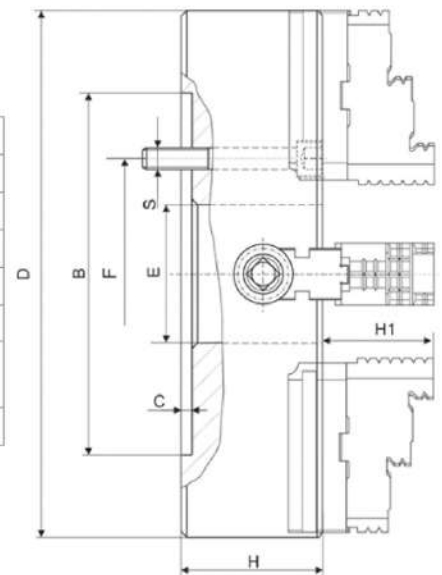
**COPA MANDRIL MANUAL INDEPENDIENTE DE 4 MORDAZAS 3-855-1000P**



Selling Unit		EA
Chuck Type		Independent
Chuck Size	in	10
Body Material		Forged Steel
Number of Jaws		4
Jaw Type		2pc
Weight	lb	58
Mount Type		Front
Max RPM	RPM	2000

**DIAMETRO 10" 250MM**

Diameter D	in	9.843
Recess Diameter B	in	5.9055
Recess Depth C	in	0.2756
Hole Diameter E	in	2.5591
Bolt Circle Diameter F	in	4.126
Body Height H	in	3.0512
Jaw Height H1 (Two-piece Jaws)	in	2.378
Hole Thread Size S		4xM12



d1 Min	in	0.394
d2 Max	in	9.843
Chuck Thru Hole d3	in	2.5591

