

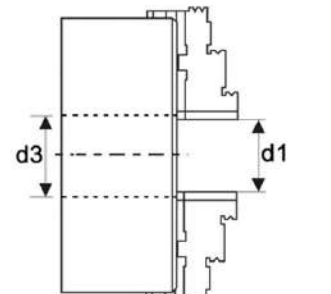
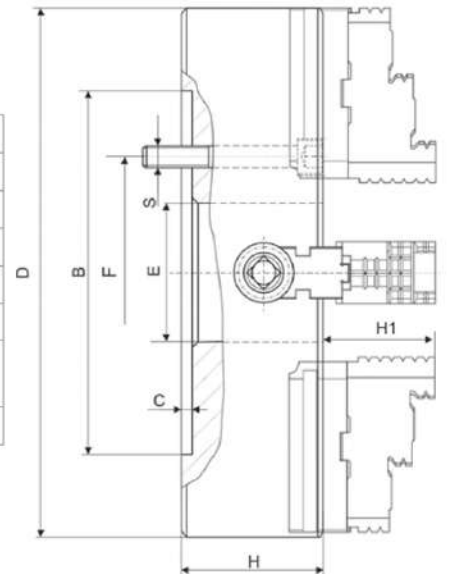
COPA MANDRIL MANUAL INDEPENDIENTE DE 4 MORDAZAS 3-855-1200P



Selling Unit		EA
Chuck Type		Independent
Chuck Size	in	12
Body Material		Forged Steel
Number of Jaws		4
Jaw Type		2pc
Weight	lb	107
Mount Type		Front
Max RPM	RPM	1500

DIAMETRO 12" 300MM

Diameter D	in	12.402
Recess Diameter B	in	6.8898
Recess Depth C	in	0.2756
Hole Diameter E	in	3.1496
Bolt Circle Diameter F	in	5.252
Body Height H	in	3.4252
Jaw Height H1 (Two-piece Jaws)	in	2.3976
Hole Thread Size S		4xM16



d1 Min	in	0.59
d2 Max	in	12.402
Chuck Thru Hole d3	in	3.1496

