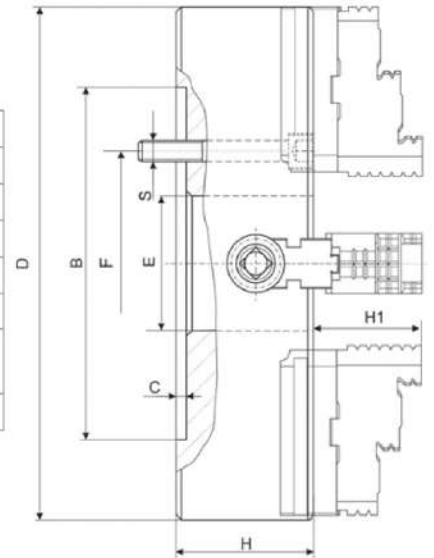


COPA MANDRIL MANUAL INDEPENDIENTE DE 4 MORDAZAS 3-855-2500P

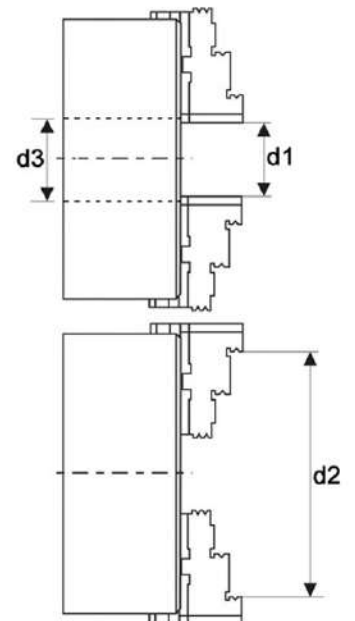


Selling Unit		EA
Chuck Type		Independent
Chuck Size	in	25
Body Material		Forged Steel
Number of Jaws		4
Jaw Type		2pc
Weight	lb	633
Mount Type		Front
Max RPM	RPM	550

Diameter D	in	24.803
Recess Diameter B	in	10.6299
Recess Depth C	in	0.4724
Hole Diameter E	in	6.2992
Bolt Circle Diameter F	in	9.252
Body Height H	in	5.00
Jaw Height H1 (Two-piece Jaws)	in	3.8504
Hole Thread Size S		4xM20



DIAMETRO 25" 625MM



d1 Min	in	1.969
d2 Max	in	24.803
Chuck Thru Hole d3	in	6.2992