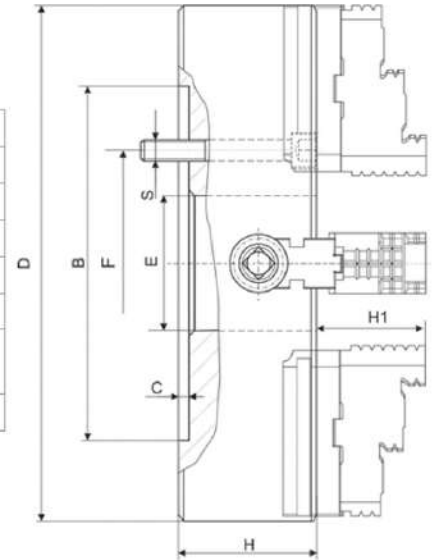


COPAS MANDRIL MANUAL INDEPENDIENTE DE 4 MORDAZAS 3-855-3200P

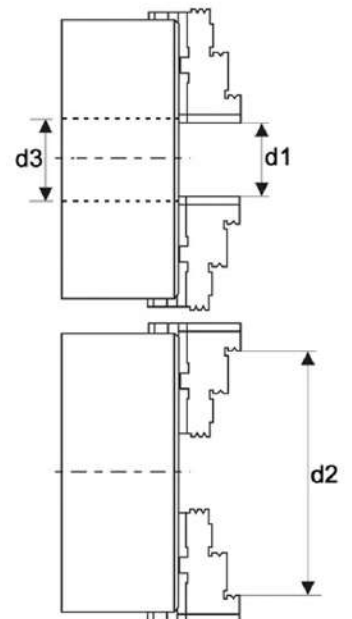


Selling Unit		EA
Chuck Type		Independent
Chuck Size	in	32
Body Material		Forged Steel
Number of Jaws		4
Jaw Type		2pc
Weight	lb	990
Mount Type		Front
Max RPM	RPM	764

Diameter D	in	31.496
Recess Diameter B	in	9.8425
Recess Depth C	in	0.1968
Hole Diameter E	in	5.315
Bolt Circle Diameter F	in	8.6614
Body Height H	in	4.9212
Jaw Height H1 (Two-piece Jaws)	in	3.3071
Hole Thread Size S		8xM24



DIAMETRO 32" 800MM



d1 Min	in	1.969
d2 Max	in	31.496
Chuck Thru Hole d3	in	5.315