

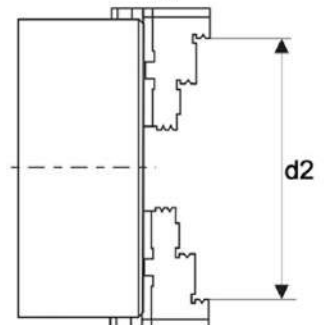
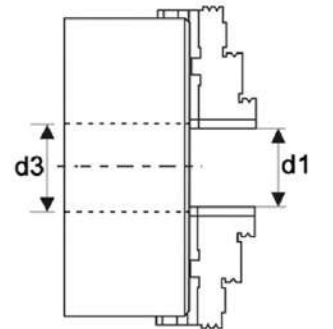
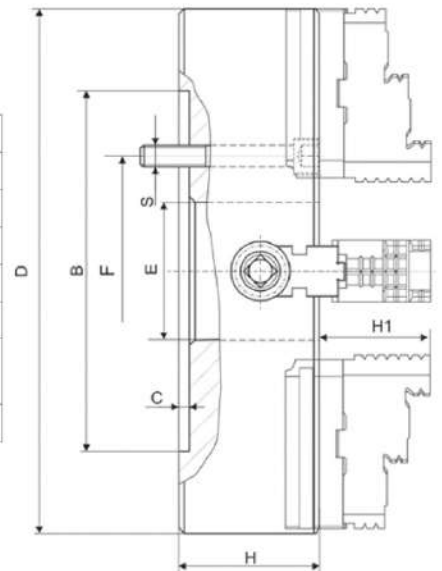
**COPAS MANDRIL MANUAL INDEPENDIENTE DE 4 MORDAZAS 3-855-3600P**



Selling Unit		EA
Chuck Type		Independent
Chuck Size	in	36
Body Material		Forged Steel
Number of Jaws		4
Jaw Type		2pc
Weight	lb	1350
Mount Type		Front
Max RPM	RPM	679

Diameter D	in	35.433
Recess Diameter B	in	9.8425
Recess Depth C	in	0.1968
Hole Diameter E	in	5.5118
Bolt Circle Diameter F	in	8.6614
Body Height H	in	5.315
Jaw Height H1 (Two-piece Jaws)	in	3.3071
Hole Thread Size S		8xM24

**DIAMETRO 36" 900MM**



d1 Min	in	4.724
d2 Max	in	36.024
Chuck Thru Hole d3	in	5.5118

