

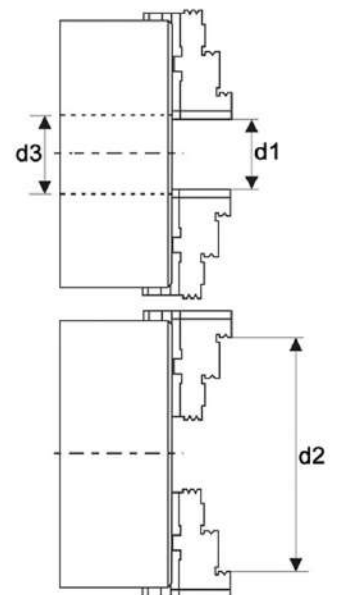
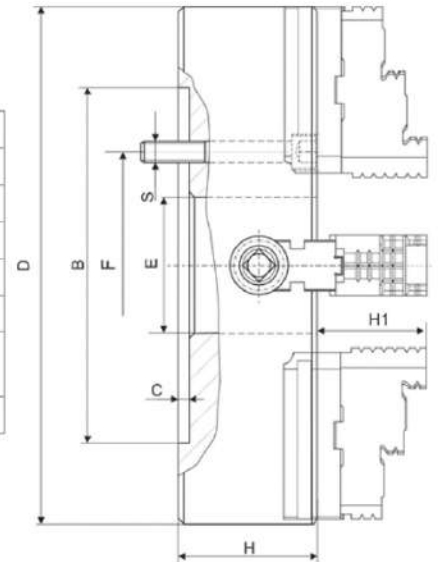
COPAS MANDRIL MANUAL INDEPENDIENTE DE 4 MORDAZAS 3-855-4000P



Selling Unit		EA
Chuck Type		Independent
Chuck Size	in	40
Body Material		Forged Steel
Number of Jaws		4
Jaw Type		2pc
Weight	lb	1740
Mount Type		Front
Max RPM	RPM	611

DIAMETRO 40" 1000MM

Diameter D	in	39.370
Recess Diameter B	in	11.811
Recess Depth C	in	0.2756
Hole Diameter E	in	5.9055
Bolt Circle Diameter F	in	9.8425
Body Height H	in	5.5118
Jaw Height H1 (Two-piece Jaws)	in	3.5827
Hole Thread Size S		8xM24



d1 Min	in	6.693
d2 Max	in	39.37
Chuck Thru Hole d3	in	5.9055

